

T-Handles

Technopolymer

MATERIAL

Glass-fibre reinforced polyamide based (PA) technopolymer, matte finish.

STANDARD EXECUTIONS

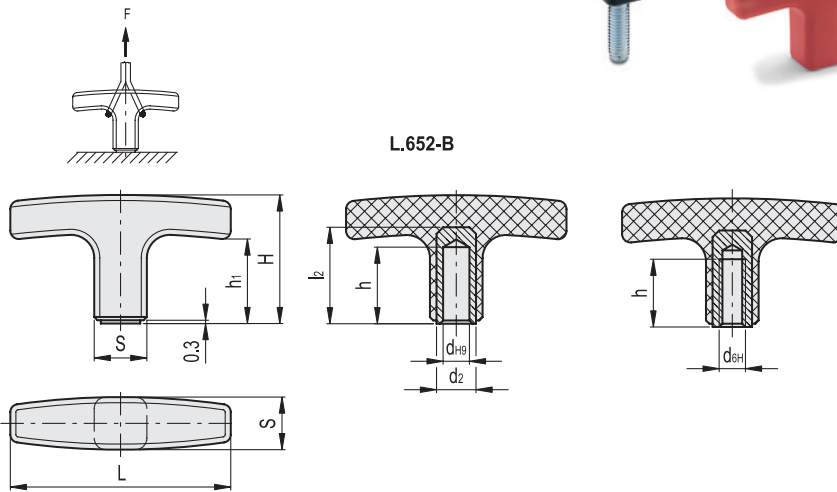
- **L.652-B:** brass boss, plain or threaded blind hole. Black, orange, red colours, matte finish.
- **L.652-p:** zinc-plated steel threaded stud, chamfered flat end UNI 947 : ISO 4753 (see Technical Data on page A11).

TECHNICAL DATA

Tensile stress: F values reported in the table are the result of breaking tests carried out with the appropriate dynamometric equipment under the test conditions shown in the figure with ambient temperature.



ELESA Original design



* Complete with colour index, example: 32447 L.652/67 B-M8-C2

C9	C2	C6
RAL9005	RAL2004	RAL3000

L.652-B

Code C9	Code C2	Code C6	Description	L	dH9	d6H	S	H	d2	h	h1	l2	F [N]	
32420	-	-	L.652/40 B-M5-*	41	-	M5	13	28	-	16	18.5	-	2400	17
32421	-	-	L.652/40 B-6-*	41	6	-	13	28	9	18	18.5	23	2500	16
32426	-	32428	L.652/40 B-M6-*	41	-	M6	13	28	-	16	18.5	-	2500	16
32430	-	-	L.652/55 B-M5-*	56.5	-	M5	15	33	-	15	21.5	-	2400	28
32431	-	-	L.652/55 B-6-*	56.5	6	-	15	33	10	18	21.5	27	3300	27
32436	-	32438	L.652/55 B-M6-*	56.5	-	M6	15	33	-	18	21.5	-	3300	27
32432	-	-	L.652/55 B-M8-*	56.5	-	M8	15	33	-	20	21.5	-	3300	28
32441	-	-	L.652/67 B-6-*	68.5	6	-	16.5	37	11	20	24.5	30	4500	38
32443	-	-	L.652/67 B-8-*	68.5	8	-	16.5	37	11	20	24.5	30	4500	36
32446	32447	32448	L.652/67 B-M8-*	68.5	-	M8	16.5	37	-	20	24.5	-	4500	36
32452	-	-	L.652/67 B-M10-*	68.5	-	M10	16.5	37	-	20	24.5	-	5000	34
32451	-	-	L.652/80 B-6-*	82	6	-	20	41.5	13	25	25	33	7000	58
32453	-	-	L.652/80 B-8-*	82	8	-	20	41.5	13	25	25	33	7000	52
32456	-	-	L.652/80 B-M8-*	82	-	M8	20	41.5	-	25	25	-	7000	50
32458	32459	32457	L.652/80 B-M10-*	82	-	M10	20	41.5	-	25	25	-	7000	56
32460	-	-	L.652/80 B-M12-*	82	-	M12	20	41.5	-	18	25	-	7000	62
32471	-	-	L.652/95 B-6-*	94	6	-	21	46	13	25	28.5	33	8000	74
32478	-	-	L.652/95 B-M10-*	94	-	M10	21	46	-	25	28.5	-	8000	70
32480	-	-	L.652/95 B-M12-*	94	-	M12	21	46	-	18	28.5	-	8000	66

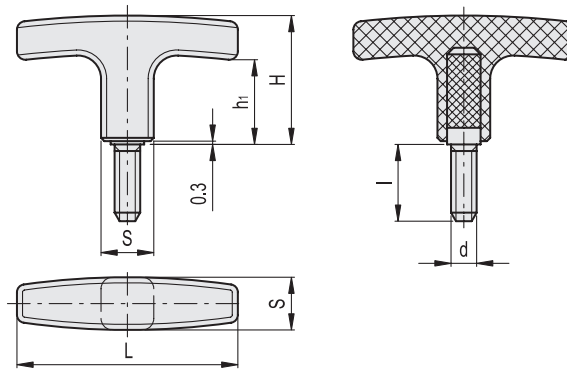
1
2
3
4
5
6
7
8
9
10
11
12
13
14
15
16
17
18
5
Fixed and Revolving Handles



5

Fixed and Revolving Handles

L.652-p



L.652-p

Code	Description	L	d _{6g}	S	H	h ₁	l	F [N]	⚖
32425	L.652/40 p-M5x16	41	M5	13	28	18.5	16	2500	15
32423	L.652/40 p-M5x20	41	M5	13	28	18.5	20	2500	16
32429	L.652/40 p-M6x20	41	M6	13	28	18.5	20	2500	17
32424	L.652/40 p-M6x25	41	M6	13	28	18.5	25	2500	18
32433	L.652/55 p-M6x20	56.5	M6	15	33	21.5	20	2500	26
32434	L.652/55 p-M6x25	56.5	M6	15	33	21.5	25	3000	27
32439	L.652/55 p-M8x20	56.5	M8	15	33	21.5	20	3300	28
32437	L.652/55 p-M8x25	56.5	M8	15	33	21.5	25	3300	29
32440	L.652/67 p-M8x20	68.5	M8	16.5	37	24.5	20	3300	36
32449	L.652/67 p-M8x25	68.5	M8	16.5	37	24.5	25	3300	38
32442	L.652/67 p-M8x30	68.5	M8	16.5	37	24.5	30	3300	40
32444	L.652/67 p-M10x20	68.5	M10	16.5	37	24.5	20	5000	41
32445	L.652/67 p-M10x30	68.5	M10	16.5	37	24.5	30	5000	44
32461	L.652/80 p-M10x20	82	M10	20	41.5	25	20	5000	52
32462	L.652/80 p-M10x30	82	M10	20	41.5	25	30	5000	58
32943	L.652/95 p-M12x30	94	M12	21	46	28.5	30	6000	68